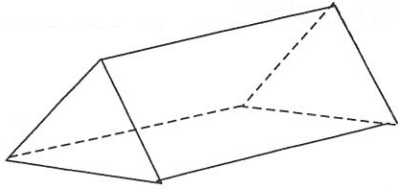
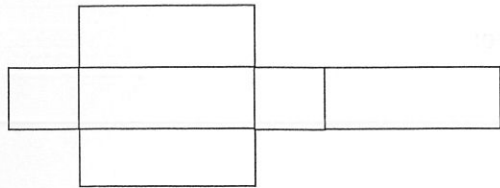


## Surface Area and Volume Quiz

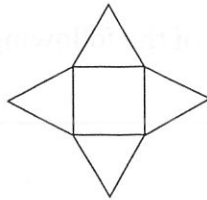
1. Which net represents the following shape: (1pt)



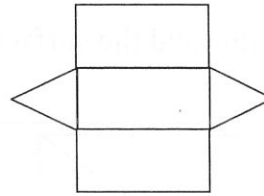
A.



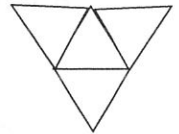
B.



C.



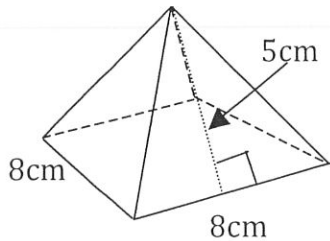
D.



2. A rectangular prism has a volume of  $120 \text{ in}^3$ . Which set of dimensions below could be the dimensions of the prism?

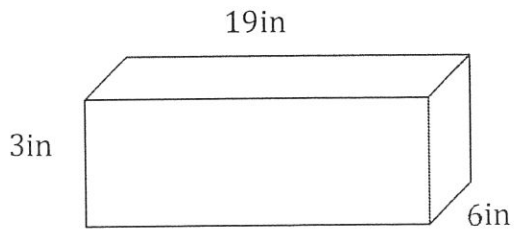
- A. 5 by 6 by 4
- B. 6 by 7 by 3
- C. 1 by 2 by 0
- D. 1 by 11 by 11

3. What is the surface area of this pyramid?



Name: \_\_\_\_\_ Date: \_\_\_\_\_ Period: \_\_\_\_\_ B

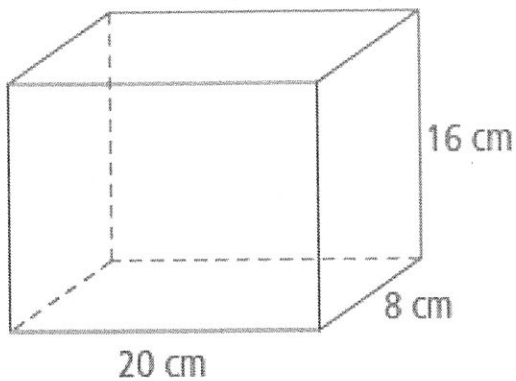
4. Find the surface area and volume of the rectangular prism below.



Surface Area: \_\_\_\_\_

Volume: \_\_\_\_\_

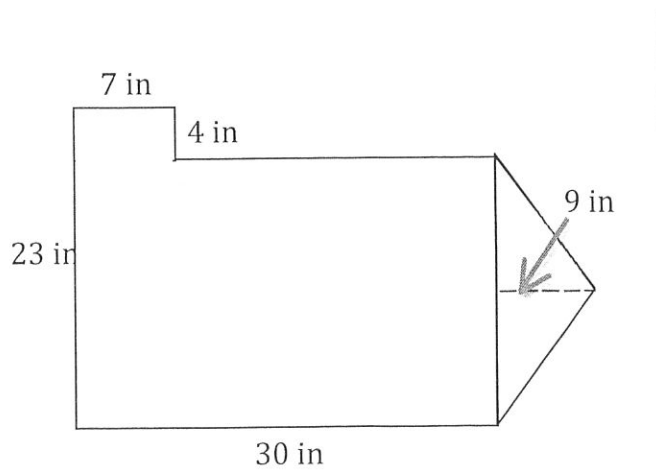
6. Find the volume and the surface area of the following figure:



Surface Area: \_\_\_\_\_

Volume: \_\_\_\_\_

7. Find the area of the figure below. Include your label.





## Multiplying decimals in columns

---

### Grade 6 Decimals Worksheet

Find the product.

$$\begin{array}{r} 1. \quad 0.084 \\ \times 0.584 \\ \hline \\ \hline \end{array}$$

$$\begin{array}{r} 2. \quad 5.9 \\ \times 14.5 \\ \hline \\ \hline \end{array}$$

$$\begin{array}{r} 3. \quad 2.2 \\ \times 26.7 \\ \hline \\ \hline \end{array}$$

$$\begin{array}{r} 4. \quad 0.82 \\ \times 29.0 \\ \hline \\ \hline \end{array}$$

$$\begin{array}{r} 5. \quad 0.099 \\ \times 6.24 \\ \hline \\ \hline \end{array}$$

$$\begin{array}{r} 6. \quad 0.082 \\ \times 0.186 \\ \hline \\ \hline \end{array}$$

$$\begin{array}{r} 7. \quad 6.0 \\ \times 0.694 \\ \hline \\ \hline \end{array}$$

$$\begin{array}{r} 8. \quad 4.5 \\ \times 4.03 \\ \hline \\ \hline \end{array}$$

$$\begin{array}{r} 9. \quad 7.0 \\ \times 29.4 \\ \hline \\ \hline \end{array}$$