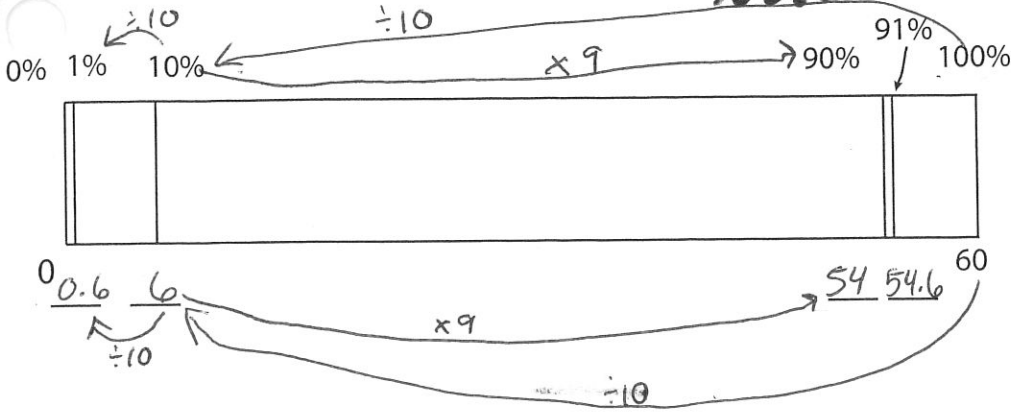


# Proportions/Percents Workout 16

Name \_\_\_\_\_

Fill in the blanks to find 91% of 60, \_\_\_\_\_.

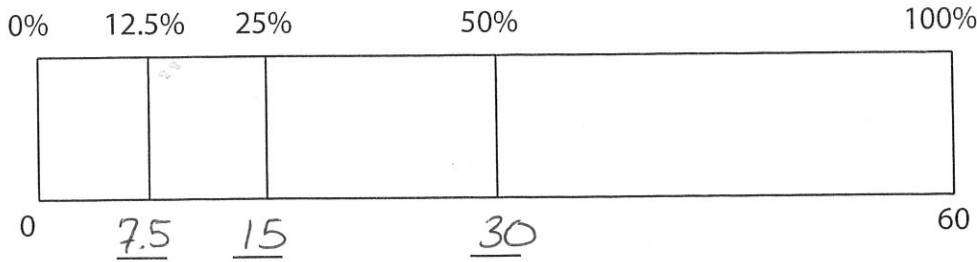
*Notes* Section of Binder



*different way!*

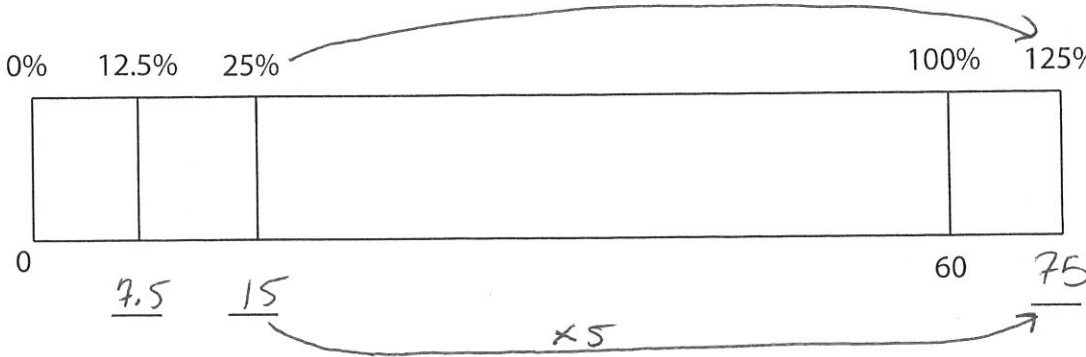
$$91\% = 90\% + 1\% \\ 54 + 0.6$$

Fill in the blanks to find 12.5% of 60, 7.5.



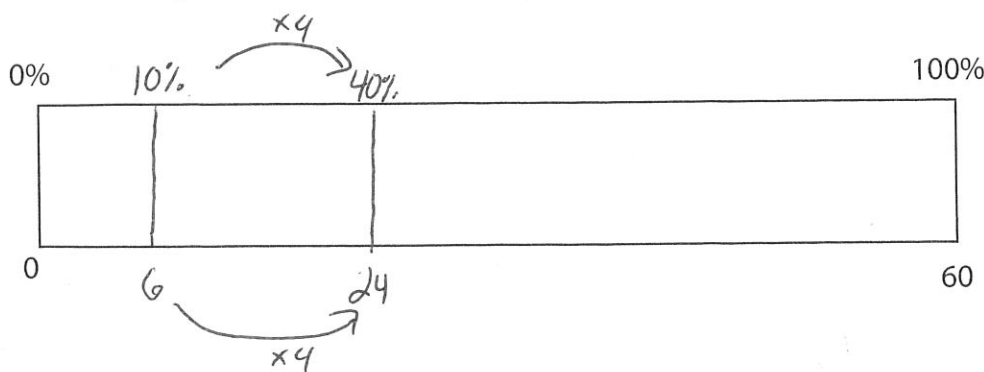
$$\begin{aligned} \frac{1}{2} &= 50\% \\ \frac{1}{4} &= 25\% \\ \frac{1}{8} &= 12.5\% \end{aligned}$$

Fill in the blanks to find 125% of 60, 75.



$$\begin{aligned} 25\% \times 5 &= 125\% \\ 100\% + 25\% &= 125\% \\ \text{OR} \\ 12.5\% \times 10 &= 125\% \end{aligned}$$

Show how you could find 40% of 60, 24.



$$\begin{aligned} 10\% \text{ means } \frac{1}{10} \\ 1\% \text{ means } \frac{1}{100} \end{aligned}$$