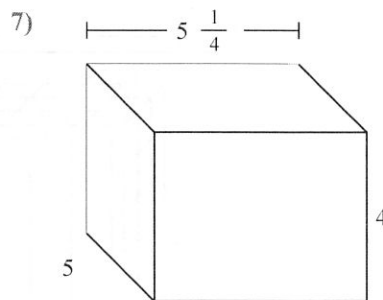
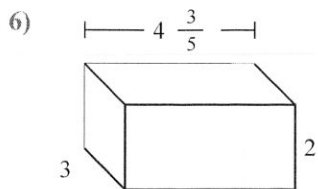
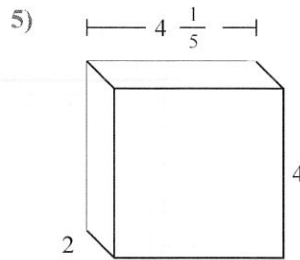
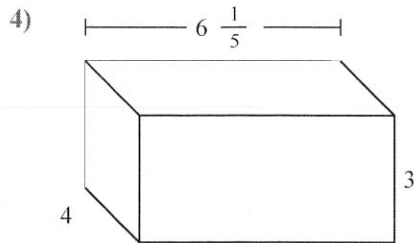
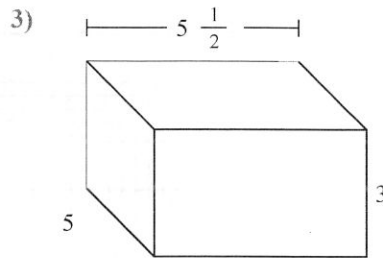
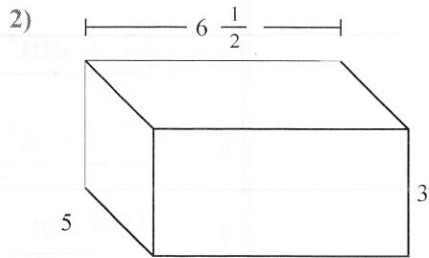
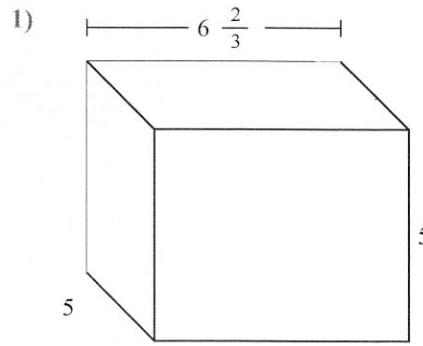
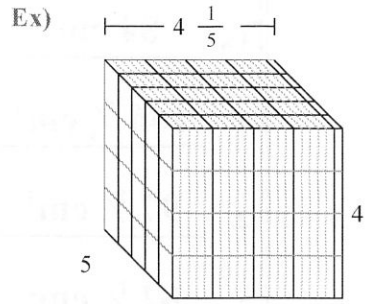


Fill each rectangular prism with cubes to determine the volume. Each prism's unit is measured in cm (not to scale).



**Answers**

- Ex. 84 cm<sup>3</sup>
1. \_\_\_\_\_
  2. \_\_\_\_\_
  3. \_\_\_\_\_
  4. \_\_\_\_\_
  5. \_\_\_\_\_
  6. \_\_\_\_\_
  7. \_\_\_\_\_